

# 49X

## Single Stage Ultra-High Pressure Reducing Regulator



The AURA 49X Series regulators are intended for primary pressure control of non-corrosive gases at a maximum inlet pressure of 6000 PSIG. Available in either chrome-plated brass or 316L stainless steel, these regulators are used in applications such as laboratory research and development, chemical manufacturing, pharmaceutical manufacturing and gauge calibration. With both front and rear panel-mounting options included, combined with AURA's encapsulated seat design, the 49X Series provides the flexibility and reliability for critical high pressure applications.

### 49X Features

#### Large Piston Sensor

- Safely control pressures to 6000 PSIG

#### 10 Micron 360° Filter

- Significantly more filtration than disk

#### Pressure Ranges 0-750 to 0-6000 PSIG

- Broad range of applications

#### Low Wetted Surface Area

- Minimal purge requirements

#### Encapsulated Seat

- Increased serviceability and life



# 49X Single Stage Ultra-High Pressure Reducing Regulators

## Technical Data and Product Specifications

### Materials of Construction

#### Body and Bonnet

- Chrome-plated brass
- 316L stainless steel body and 304 bonnet

#### Seat

- PCTFE (3000 and 4500 PSIG maximum inlet pressure)
- Arlon® (PEEK) (6000 PSIG maximum inlet pressure)

#### Piston

- Brass barstock
- 316L stainless steel

#### 10 Micron 360° Inlet Filter

- Sintered bronze
- 316L stainless steel

#### Internal Seals

- Viton®

#### Weight (bare body)

- 5.59 lbs. (2.54 kg)

### Functional Specifications

#### Maximum Inlet Pressure

- 6000 PSIG (415 BAR)

#### Temperature Range

- -40°F to 140°F (-40°C to 60°C)

#### 2 1/2" Diameter Gauges

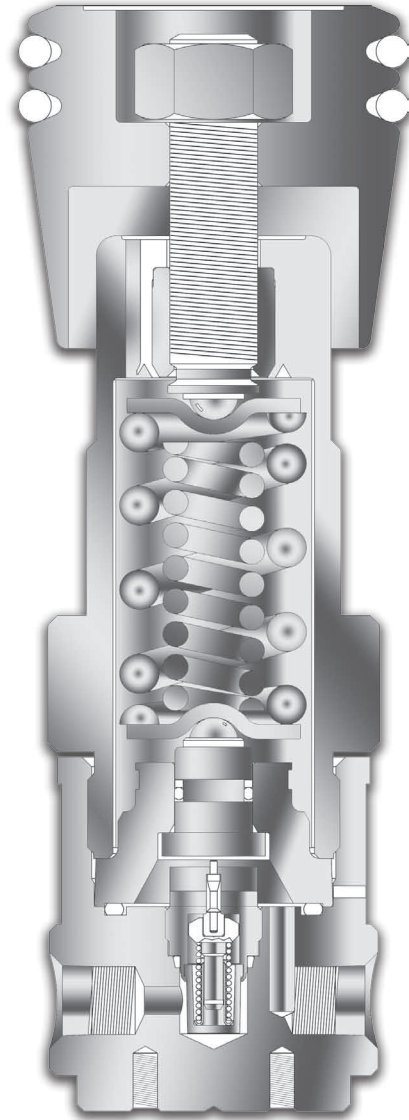
- Chrome-plated brass
- Stainless steel

#### Ports

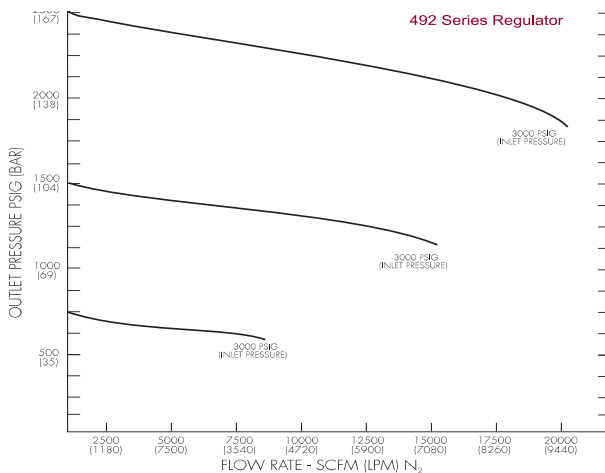
- 1/4" FPT

#### Cv

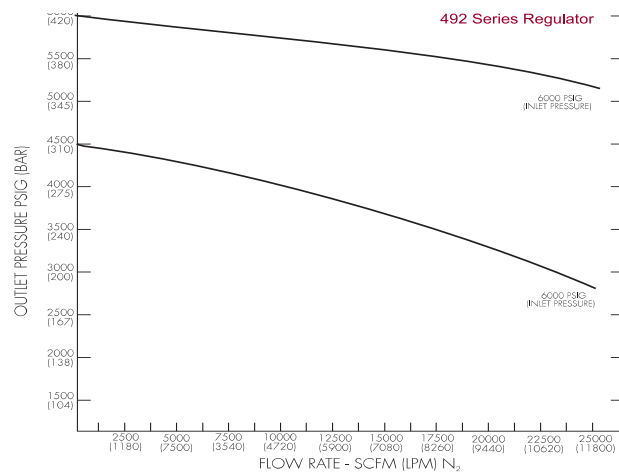
- 0.1



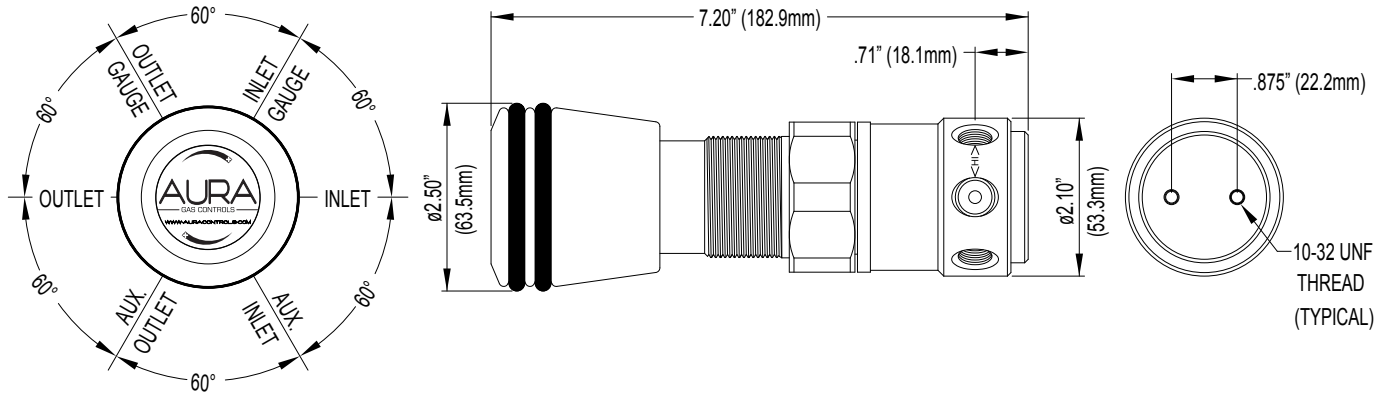
### 49X 3000 PSIG Inlet Pressure



### 49X 6000 PSIG Inlet Pressure



## Mounting and Installing Information



## Ordering Information

49 3 4 5 6 7 -AC- 12 13 14

### Digit 3 - Material of Construction

- 2 = Chrome-plated brass
- 3 = 316L Stainless steel

### Digit 4 - Outlet Pressure/Outlet Gauge

- 1 = 0-750/0-1000 PSIG
- 2 = 0-1500/0-4000 PSIG
- 3 = 0-2500/0-4000 PSIG
- 4 = 0-4500/0-6000 PSIG
- 5 = 0-6000/0-10,000 PSIG
- 6 = 0-3500/0-6000 PSIG  
*(Option 6 available only on stainless steel model)*

### Digit 5 - Inlet Maximum/Inlet Gauge

- 0 = 6000 PSIG/None
- 3 = 3000 PSIG/0-4000 PSIG
- 8 = 5500 PSIG/0-6000 PSIG
- 9 = 6000 PSIG/0-10,000 PSIG

### Digit 6 - Outlet Assembly

- 0 = 1/4" FPT
- 1 = 1/4" MPT
- 2 = 1/4" Compression tube fitting
- 5 = Needle valve with 1/4" MPT
- 6 = 1/8" Compression tube fitting
- 7 = 3/8" Compression tube fitting
- F = Needle valve with 1/4" compression tube fitting
- M = 6mm Compression tube fitting

### Digit 7 - Gauge Scale

- 0 = Bare body
- 1 = PSIG/kPa
- 2 = BAR/PSIG

### Digits 12-14 - Inlet Connection

- CGA
- DIN 477
- BS 341
- and others available

### **Accessories:**

- Panel mount kit  
EXPA 0002-01-000-000
- Stainless steel control station  
EXPV 0006-01-000-1SN

**NOTE:** If you are unable to find a configuration specific to your application's needs, call AURA Gas Controls directly at 800.582.2565.



1501 Harpers Road, Virginia Beach, Virginia 23454

**800.582.2565**

www.AURACONTROLS.com

Registered ISO 9001



# 49X

**Single Stage Ultra-High Pressure Reducing Regulator**



**AURA**<sup>TM</sup>  
GAS CONTROLS

1501 Harpers Road, Virginia Beach, Virginia 23454

**800.582.2565**

[www.AURACONTROLS.com](http://www.AURACONTROLS.com)

Registered ISO 9001



ADC317949X-C